

## Removing and installing box for tool kit and hazard warning triangle

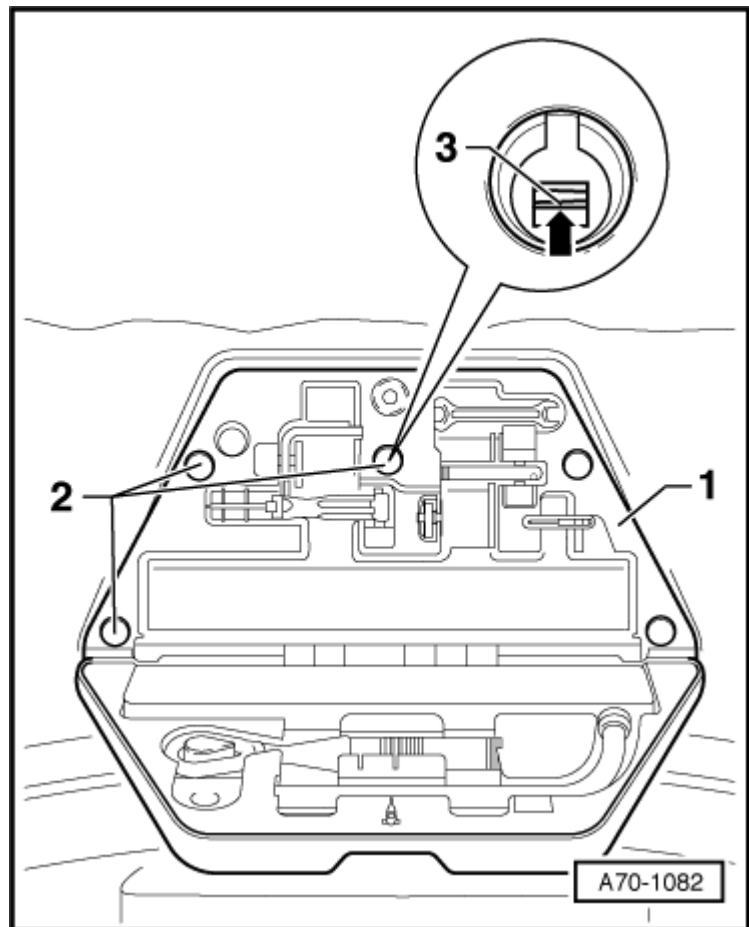
### Removing

- Open box for tool kit and hazard warning triangle -1-.
- Unclip covers -2- (5x).
- Use flat screwdriver to carefully press tabs -3- upwards in direction of arrow.
- Detach box for tool kit and hazard warning triangle.

### Installing

Install in reverse order of removal. Observe the following:

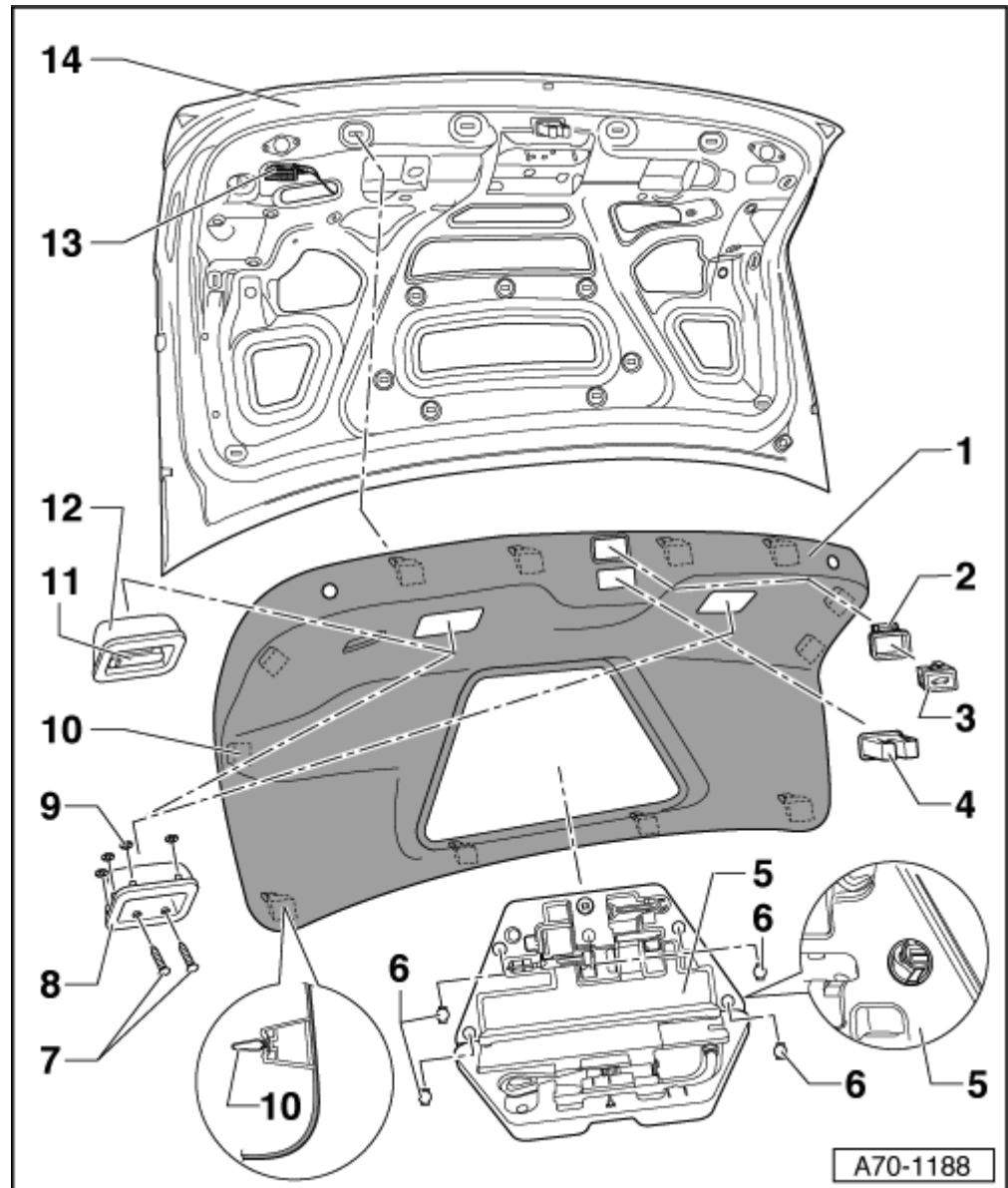
- ◆ Make sure all retaining tabs (5x) are properly engaged.



## Removing and installing rear lid trim

### 1 - Rear lid trim

- ◆ Removing
- Detach lock cover -4-.
- Remove luggage compartment light -11-.  
→ Rep. Gr.96
- Remove button to close rear lid in luggage compartment (-E406-) -3-  
→ Chapter.
- Remove box for tool kit and hazard warning triangle -5-  
→ Chapter.
- Remove bolts -7- from handle recesses (2x per moulding).
- USA only
- Remove manual release handle  
→ Chapter.



All vehicles  
(continued)

- Unfasten rear lid trim -1- at clips -10- (12x) from underneath.
- Detach rear lid trim -1-.

#### ◆ Installing

Install in reverse order of removal. Observe the following:

- ◆ Renew damaged clips -10-.
- ◆ Before fitting rear lid trim, make sure clips -10- are correctly positioned.

### 2 - Frame

#### ◆ Removing

- Remove button to close rear lid in luggage compartment (-E406-) -3- → Chapter.
- Unclip frame on back at top.
- Take frame out of opening in rear lid trim.

#### ◆ Installing

Install in reverse order of removal.

## Removing and installing luggage compartment floor covering

### 1 - Luggage compartment floor covering

- ◆ Removing
  - Unscrew clip nuts -5-.
  - Lift floor covering of luggage compartment -1- in direction of arrow and take it out of vehicle.
- ◆ Installing
  - Install in reverse order of removal.

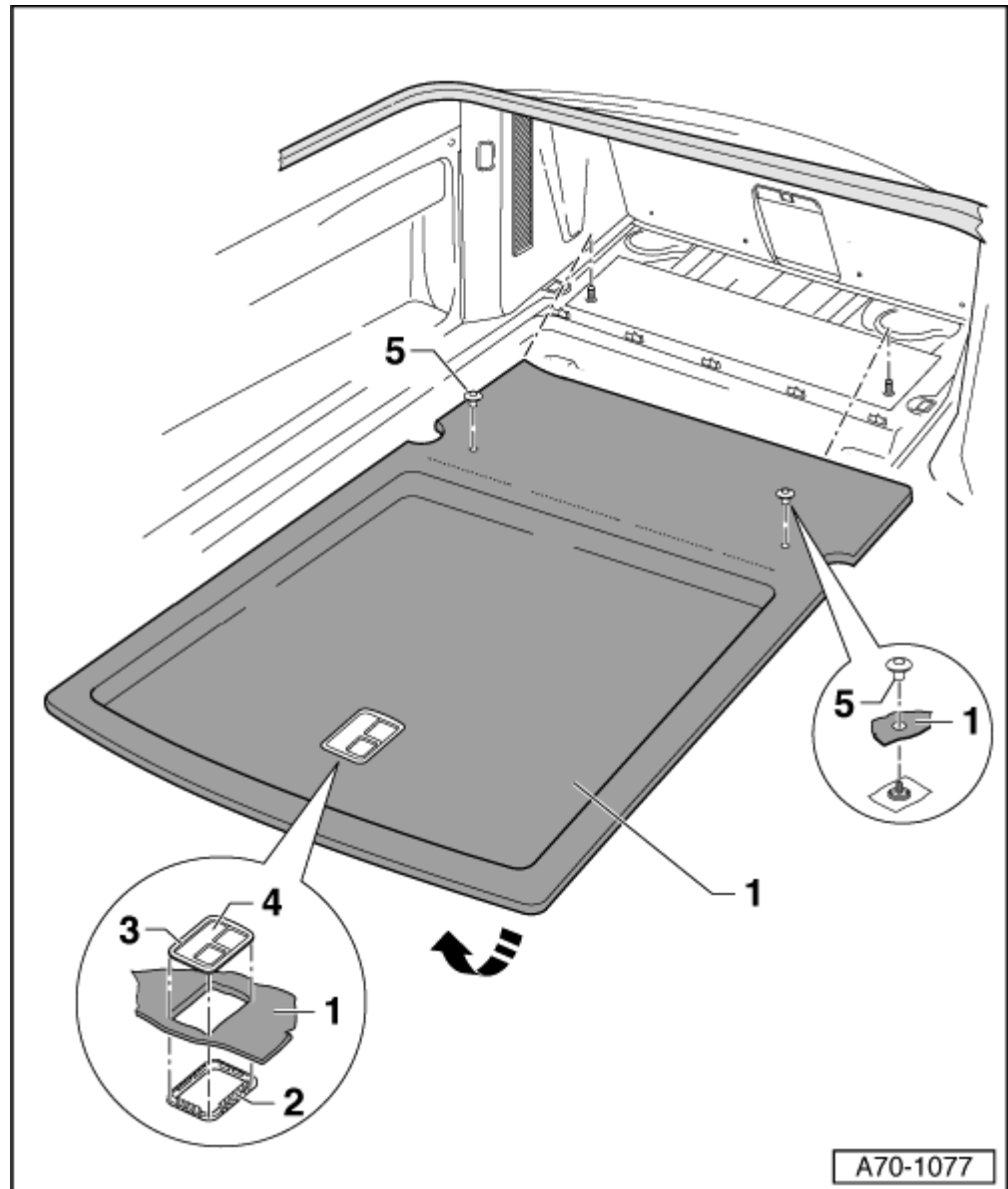
### 2 - Fastener for luggage compartment floor covering holder

### 3 - Luggage compartment floor covering holder

### 4 - Grip on luggage compartment floor covering holder

- ◆ Removing
  - Lift grip -4- of holder -3-.
  - Lift holder -3- by way of grip -4- out of fastener -2-.
- ◆ Installing
  - Install in reverse order of removal.

### 5 - Clip nut



## Removing and installing rear cross panel trim

### 1 - Rear cross panel trim

- ◆ Removing
- Use flat screwdriver to prise out caps -4- of fasteners -3- (3x).
- Remove fasteners -3- (3x).
- Unfasten clips -2- and lift out rear cross panel trim -1-.

- ◆ Installing
- Install in reverse order of removal. Observe the following:

- ◆ Renew damaged clips -2- and fasteners -3- as well as caps -4-.
- ◆ Tabs on side of rear cross panel trim must be located in recesses in luggage compartment side trim.

- ◆ Make sure seal is properly positioned after fitting trim.

### 2 - Clips (4x)

- Renew if damaged

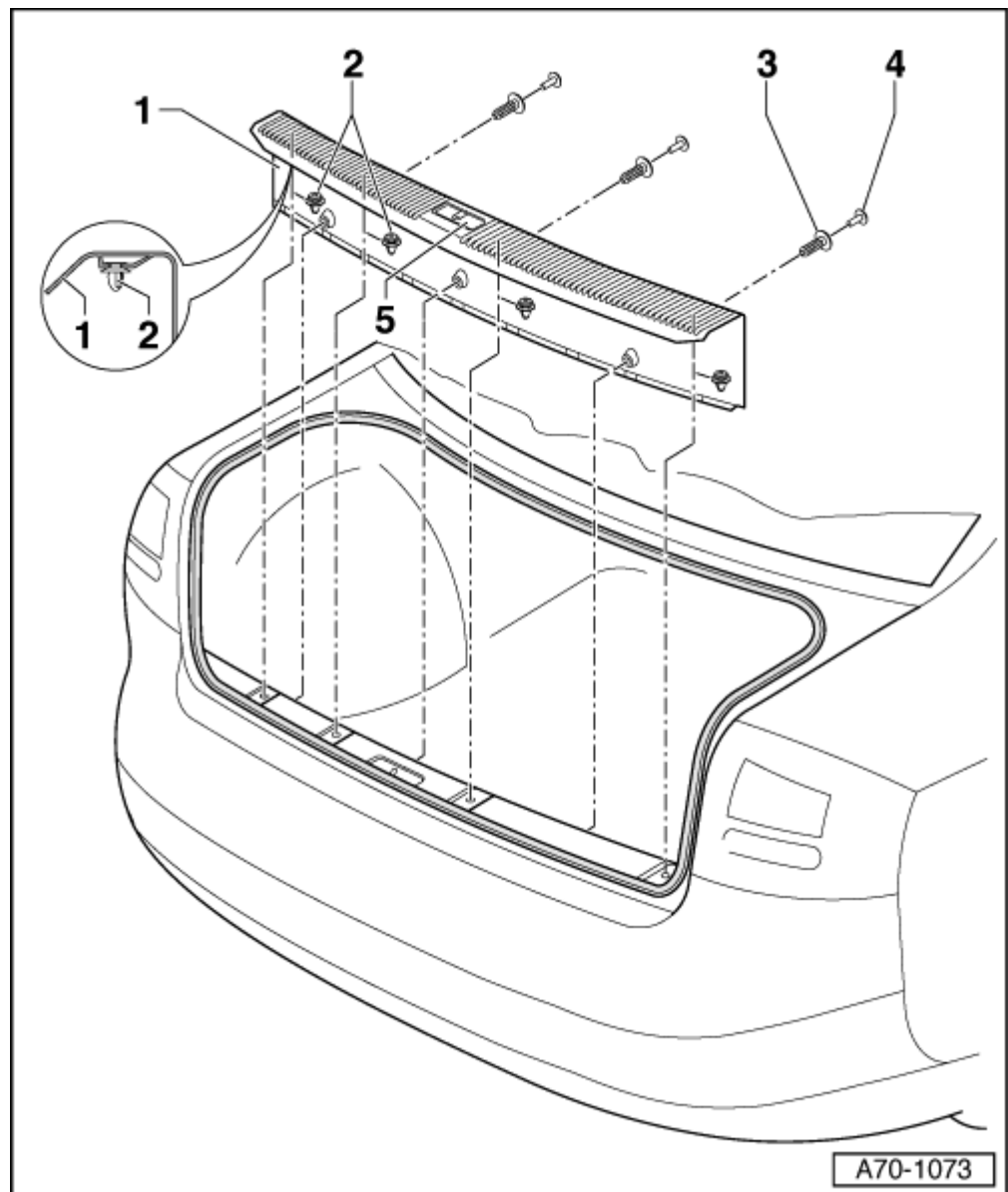
### 3 - Fasteners (3x)

- Renew if damaged

### 4 - Cap (3x)

- For fastener
- Renew if damaged

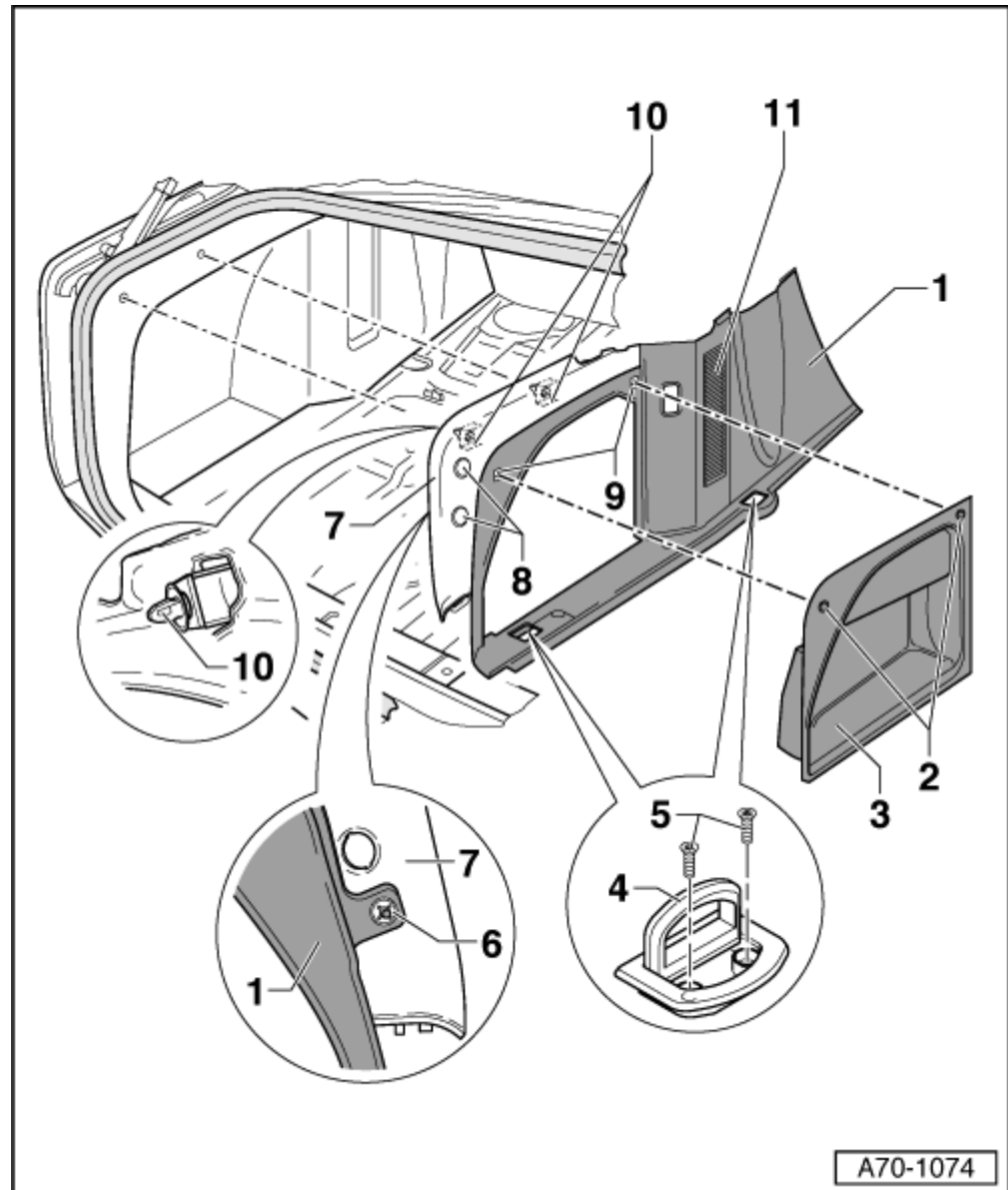
### 5 - Cover for striker plate



## Removing and installing luggage compartment side trim

### 1 - Luggage compartment side trim

- ◆ Removing
- Take out luggage compartment floor covering → Chapter.
- Remove rear cross panel trim → Chapter.
- Open upper fasteners -2-.
- Take out storage compartment -3-.
- Remove socket → Chapter.
- Raise fastening ring -4- (4x).
- Slacken off two cross-head bolts -5- in each of the fastening rings.
- Unfasten clips -10-.
- Take out luggage compartment side trim.



- ◆ Installing
- Install in reverse order of removal. Observe the following:
- ◆ Following installation, fold rubber seal for rear lid over luggage compartment side trim -1-.

### 2 - Upper fastener (2x)

- For storage compartment -3-

### 3 - Storage compartment

### 4 - Fastening rings

- Removing and installing → Chapter

### 5 - Bolt, 5 Nm

- 2x per fastening ring

### 6 - Speed nut (3x)

## Rear lid drive - exploded view

1 - Caps for bolts

2 - Hexagon bolts

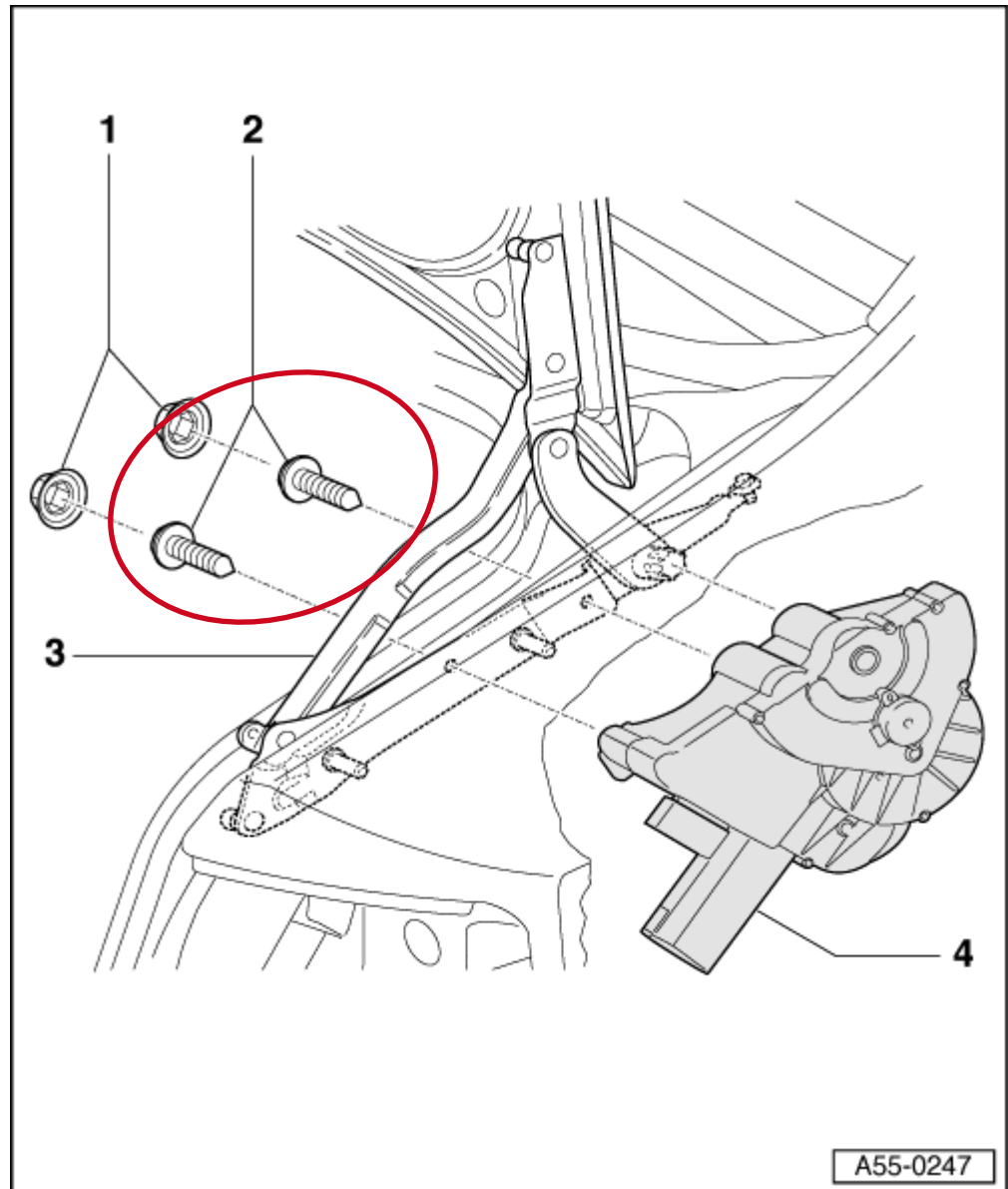
- 21 Nm

3 - Rear lid hinge

- Removing  
→ Chapter.

4 - Rear lid drive

- Installing and  
installation  
position  
→ Chapter



The rear lid drive, marked the two bolts

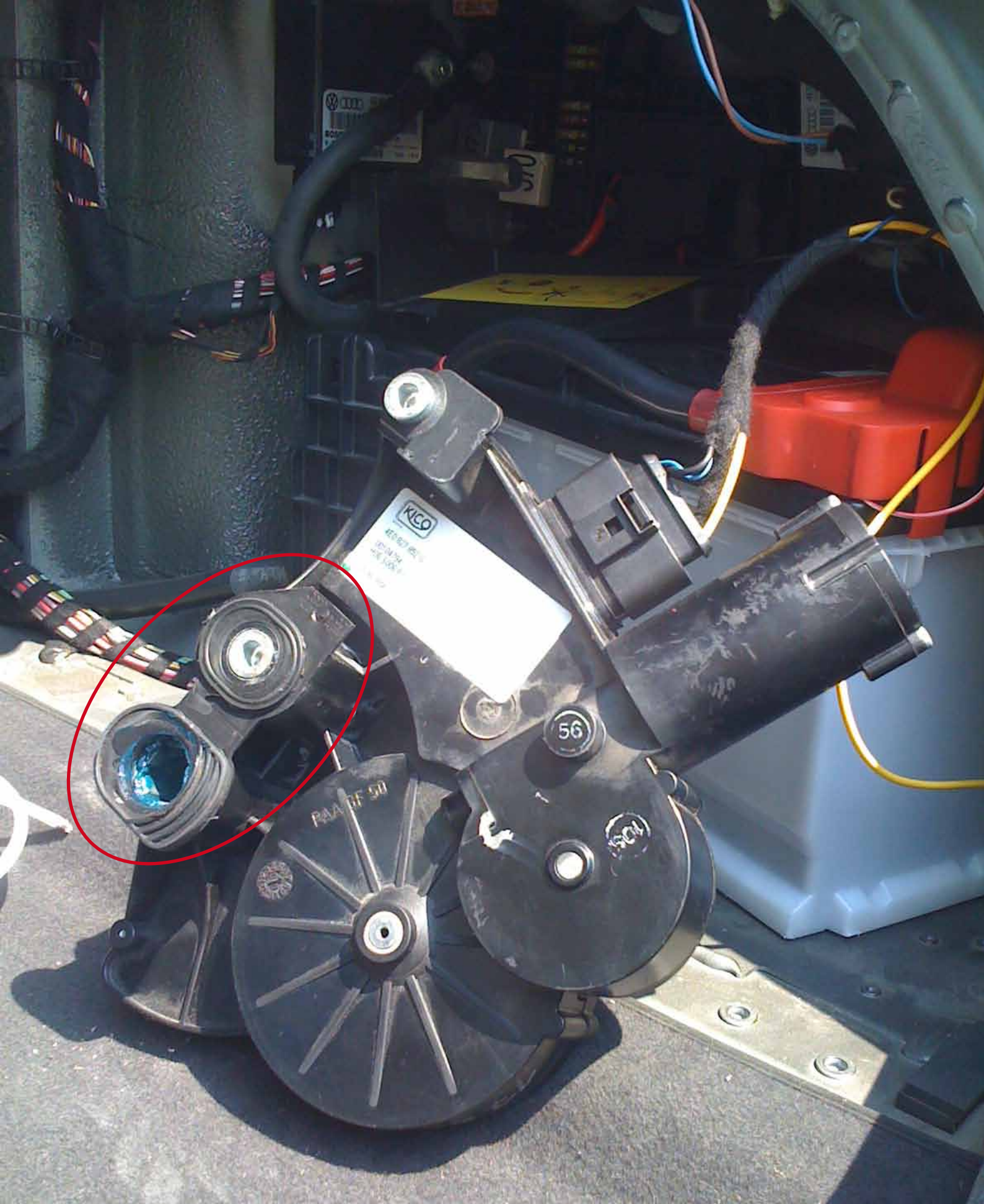


These bolts are holding the "unneded part" before and the rear lid drive after the process on the right side of car



The "unneded part", you can drop it, but remove the seal (circle shows the place, but already removed)





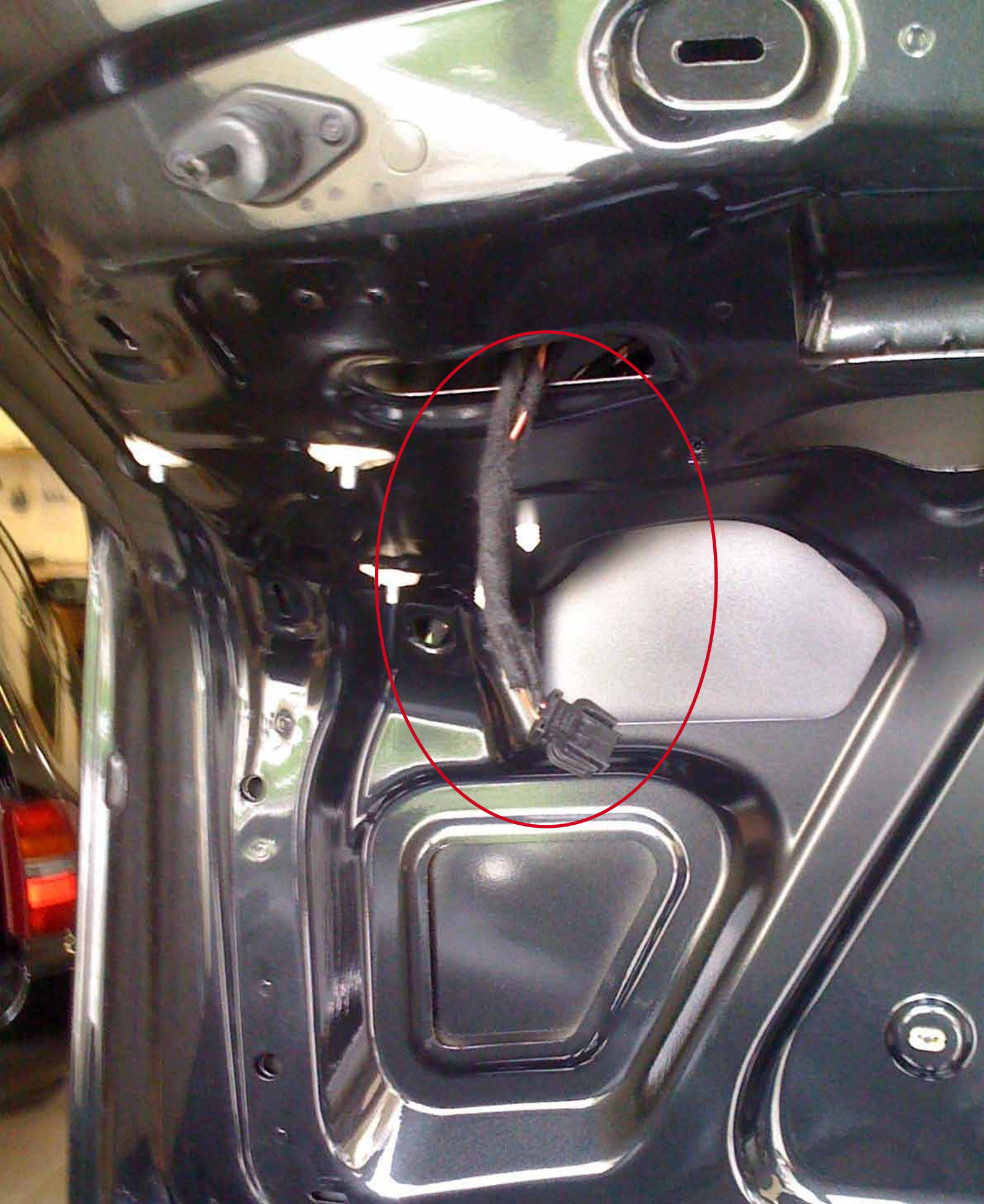
The lid drive with the two holes (circle shows the seal removed from "unnneeded part", and the place where to add some grease - blue)



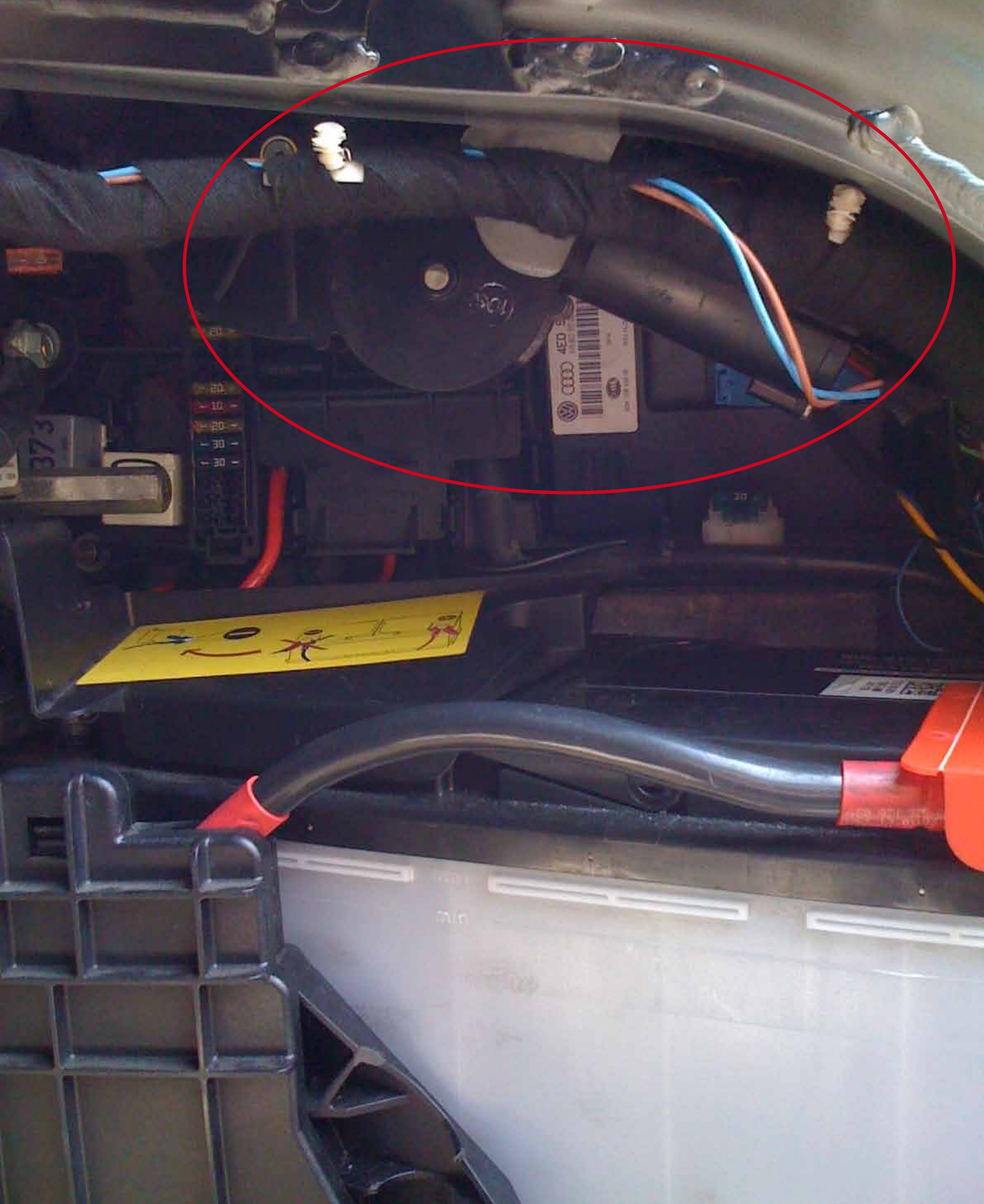
The button (circle shows the marking of your old trim, you can cut it out)



The connector for the button is in place



The + (white/red) and two - (brown) for the button are taken from the light's wiring, the only wire is for the control (green/yellow) which is needed to pull down to rear lid drive



The drive is in place






The central convenience modul (circle shows the connector, which you have to add wire - pin18 - from lid drive - pin 1)

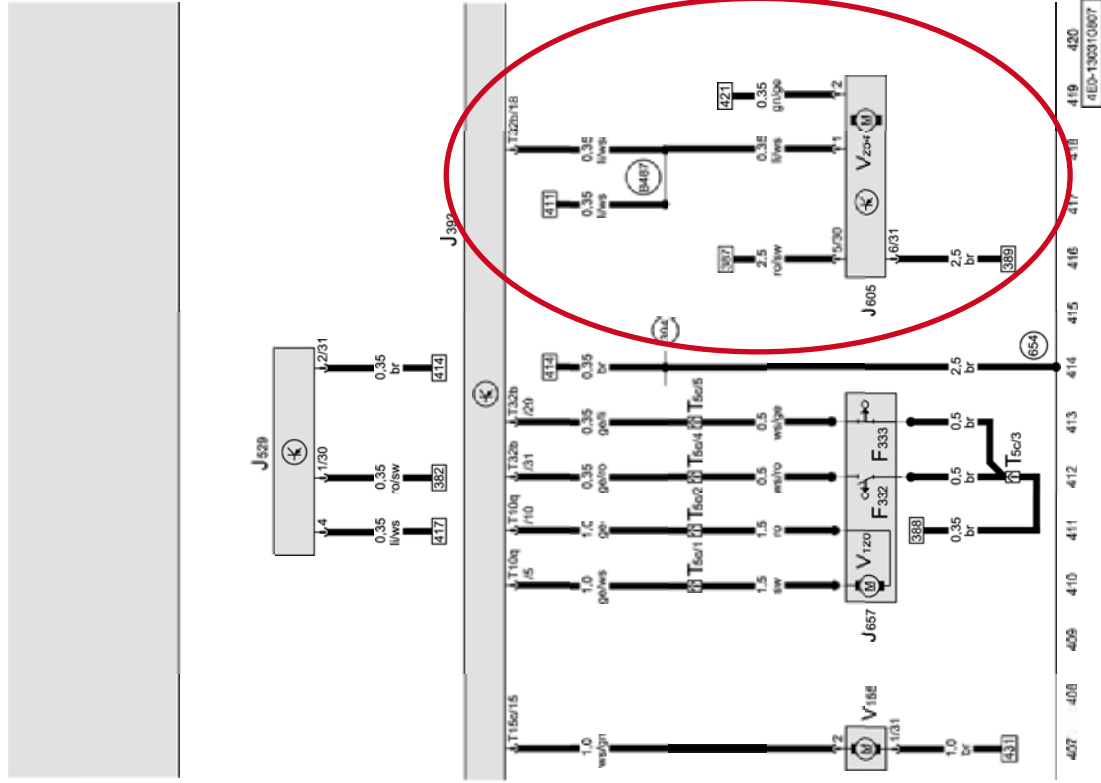
# Audi A8

## Current Flow Diagram

### No. 130 / 31

Convenience system central control unit, rear lid electric release motor, rear lid control unit, power latching system limit switch, luggage compartment locked, anti-theft and tilt system control unit, power latching control unit, tank filler flap locking motor

- F332 - Power latching system limit switch, luggage compartment unlocked
- F333 - Power latching system limit switch, luggage compartment locked
- J393 - Convenience system central control unit 
- J529 - Anti-theft and tilt system control unit 
- J605 - Rear lid control unit
- J657** - Power latching control unit
- T5c - 5-pin connector, in luggage compartment, power latching rear lid
- T10q - 10-pin connector, black, connector C, on convenience system central control unit
- T15c - 15-pin connector, brown, connector A, on convenience system central control unit
- T32b - 32-pin connector, connector B, on convenience system central control unit
- V120 - Rear lid lock motor
- V155 - Tank filler flap locking motor
- V254 - Rear lid electric release motor
- 394 - Earth connection 29, in main wiring harness
- 654 - Earth point, right D-pillar 
- B487 - Connection 23 in main wiring harness






ws = white  
 sw = black  
 ro = red  
 br = brown  
 gn = green  
 bl = blue  
 gr = grey  
 li = purple  
 ge = yellow  
 or = orange  
 rs = pink

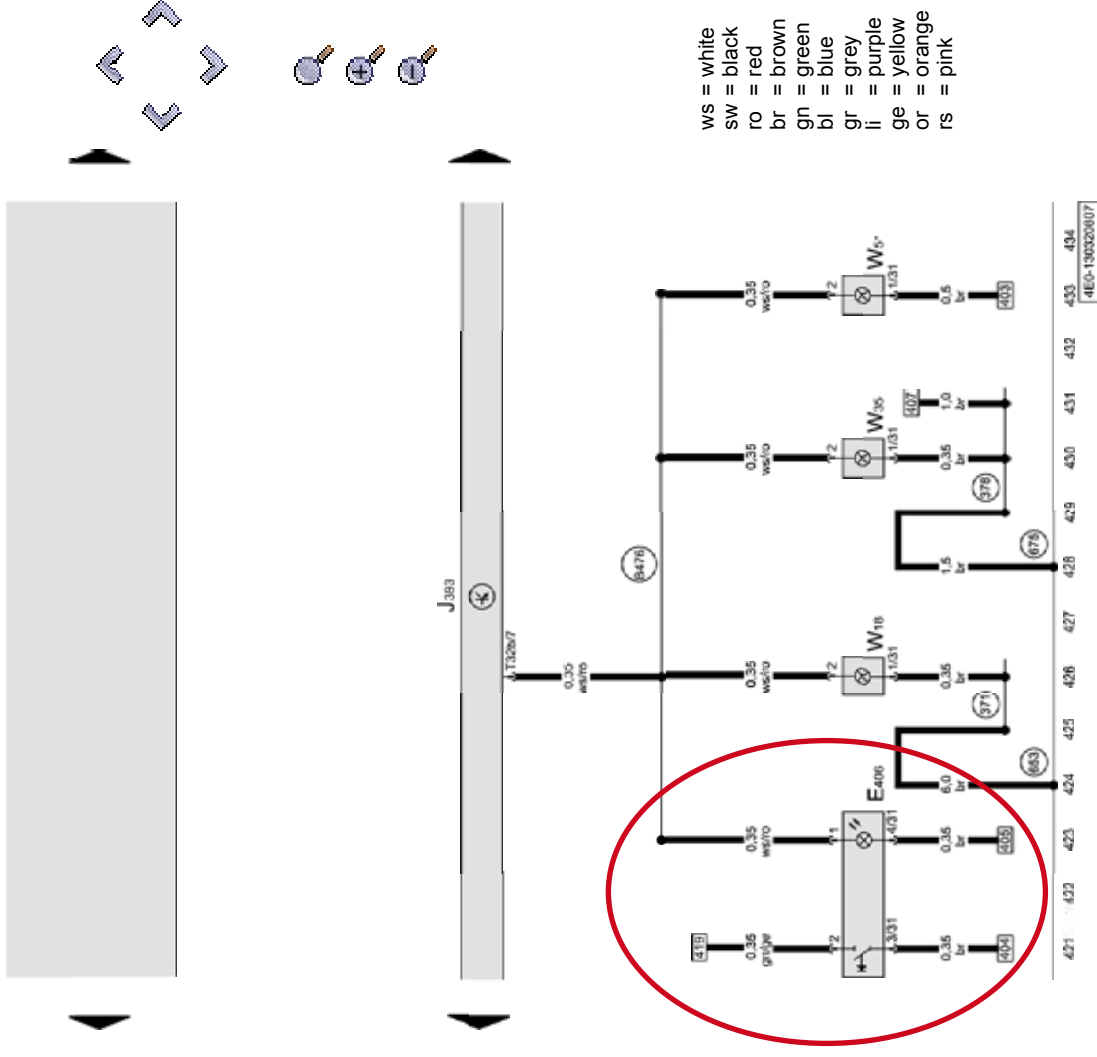
# Audi A8

## Current Flow Diagram

### No. 130 / 32

**Convenience system central control unit, luggage compartment light, rear lid light, button to close rear lid in luggage compartment**

- E406 - Button to close rear lid in luggage compartment
- J393 - Convenience system central control unit 
- T32b - 32-pin connector, connector B, on convenience system central control unit
- W18 - Luggage compartment light on left
- W35 - Right luggage compartment light
- W51 - Rear lid light
- 371 - Earth connection 6, in main wiring harness
- 378 - Earth connection 13, in main wiring harness
- 653 - Earth point, left D-pillar 
- 675 - Earth point 2, on right in luggage compartment 
- B476 - Connection 12 in main wiring harness



ws = white  
 sw = black  
 ro = red  
 br = brown  
 gn = green  
 bl = blue  
 gr = grey  
 li = purple  
 ge = yellow  
 or = orange  
 rs = pink





Everything is working perfectly! :-)